

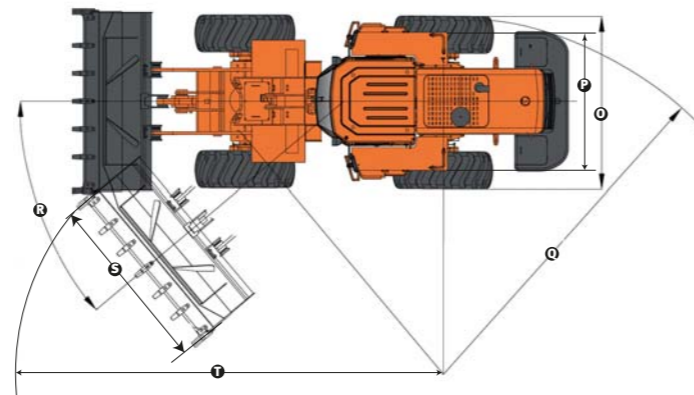
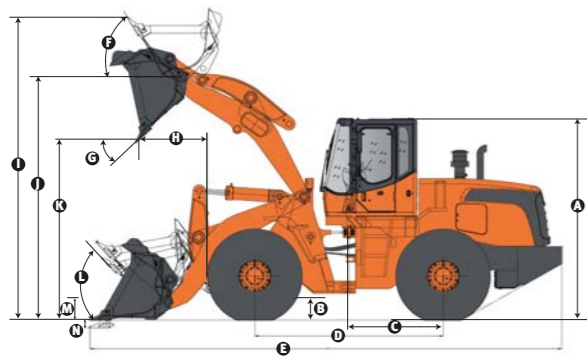
Specification

| | | | | | |
|----------------------------|--|--------------------|--------------------------------------|--|---|
| Overall working weight | kg | 17,300 | Front and Rear Axles | | |
| | lb | 38,140 | TYPE | | FULLY FLOATING PLANETARY-TYPE HUB DRIVE |
| Capacity heaped ISO/SAE | m ³ | 3.0 | | | FIXED MOUNTING(FRONT) |
| | yd ³ | 3.9 | | | TRUNNION MOUNTING(REAR) |
| Rated load | kg | 5000 | Final decelerate type | | PLANETARY |
| Max traction force | Ton | 17 | Tyre | | |
| Max breakout force (kN) | kN | 161 | Tyre specification | | 23.5 -25-16PR |
| | lbf | 36,194 | Front tyre pressure | Mpa | 0.38 |
| Max gradability | Degree | 30 | Rear tyre pressure | Mpa | 0.34 |
| Dump height (at 45°) 1) | mm | 3085 | Steering System | | |
| (at fully raised) | ft in | 10'1" | Type | | Gear |
| Dump reach (at 45°) 1) | mm | 1,297 | Steering angle | degree | 40 |
| (at fully raised) | ft in | 4'2" | Min. turning radius (outside tires) | mm | 5800 |
| Overall dimension(LxWxH) | mm | 8260 × 2992 × 3450 | Min. turning radius (outside bucket) | mm | 6510 |
| | | | | ft in | 21'4" |
| Engine | | | Hydraulic system | | |
| Model | Doosan DE08TIS (TIER-II Certified) | | System working pressure | bar | 170 |
| Type | TURBO, DIRECT INJECTION | | Boom lifting(full load) | sec | ← - 6.0 |
| Number of cylinder | 6 | | Total time | sec | ← - 11.3 |
| Bore/stroke (mm) | 111 X 139 (mm) | | Brake system | | |
| Max torque | 902 N.m/1300 rpm | | Service brake | AIR PUSH HYDRAULIC SINGLE LINE | |
| Rated power | 160kW(215HP)/2,000 rpm | | Parking brake | SPRING-APPLIED AIR RELEASED DRUM BRAKE | |
| Rated speed | 2000 rpm | | Fill capacity | | |
| Min fuel consume ratio | 215 g/kw.h @ RATED SPEED | | Fuel | liter | 330 |
| | | | Hydraulic oil | liter | 177 |
| Transmission system | | | | | |
| Torque converter type | Single Stage, Single phase, Three elements(single turbine) | | | | |
| Torque ratio | 2.142 | | | | |
| Transmission type | 4 SPEEDS, POWER-SHIFT, COUNTERSHAFT | | | | |
| Gear shift | 4 forward shift , 3 back | | | | |
| Max speed | km/h | 38.0 KPH | | | |

* Specifications are subject to change without notice for quality improvement.

Dimension

| | | | | | |
|--------------------------------------|--------|-------|---------------------------------------|--------|-------|
| A. Height to top of cab and canopy | mm | 3450 | K. Dump height (at 45°) 1) | mm | 3085 |
| | ft in | 11'3" | (at fully raised) | ft in | 10'1" |
| B. Ground clearance | mm | 420 | L. Maximum rollback at ground | degree | 45 |
| | ft in | 1'37" | Max. tilt angle at ground | | |
| C. Machine center point to rear axle | mm | 1600 | M. Hinge pin height at carry position | mm | 500 |
| D. Wheel base | mm | 3200 | N. Maximum digging depth | mm | 120 |
| | ft in | 10'6" | | ft in | 5" |
| E. Overall length | mm | 8260 | O. width over tires | mm | 2750 |
| | ft in | 27'1" | | ft in | 9'2" |
| F. MAX. TILT ANGLE (fully raised) | degree | 60.5 | P. Tread width | mm | 2150 |
| G. Bucket dump at full height | degree | 49 | | ft in | 7'0" |
| H. Dump reach (at 45°) 1) | mm | 1297 | Q. turning radius outside tires | mm | 5800 |
| (at fully raised) | ft in | 4'2" | | ft in | 19'0" |
| I. Maximum overall height | mm | 5713 | R. Maximum steering angle (each side) | degree | 40 |
| J. Hinge pin height at full lift | mm | 4150 | S. Bucket width | mm | 2992 |
| | ft in | 13'7" | | ft in | 9'9" |
| | | | T. Turning radius outside bucket | mm | 6510 |
| | | | | ft in | 21'4" |



1) Measured to the tip of the bucket teeth or bolt-on edge.

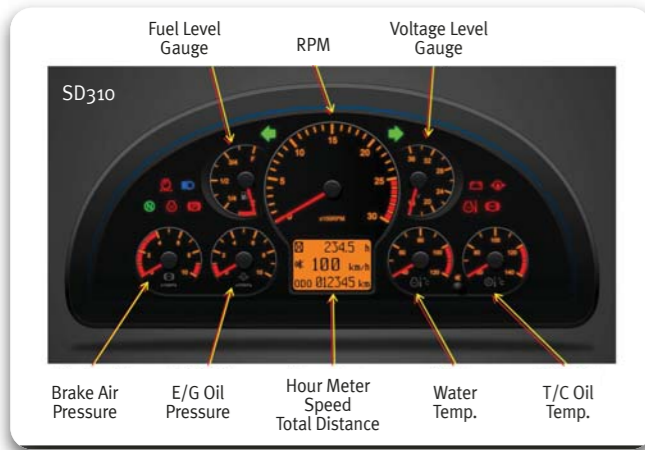
2) SD310: All measurements with tyres 23.5-25-16PR(L3)

DISD

Wheel Loader SD310

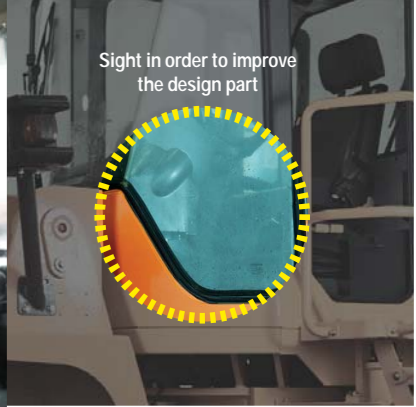


No. 1088, Xincheng Street. Muping Economic Developing Zone
Yantai Shandong 264100 China
Tel: +86-10-8454-7075 Fax: +86-535-470-7431



New Operator Panel
The instrument panel has been changed to improve operator comfort and convenience.

Doosan DE08TIS engine ▶
Fuel saving and environment friendly low-speed engine, satisfying Tier-II emission standards. Our many years of experience in engine design and production have resulted in the emergence of a highly efficient and very powerful engine that boasts the highest power in its class.



Rearward Visual Field broadened by 20%

The rear end of the device adopts streamline design which largely broadens the rearward visual field of the operator, improving not only the work efficiency but also safety.

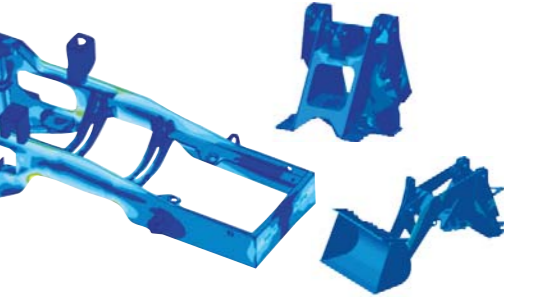
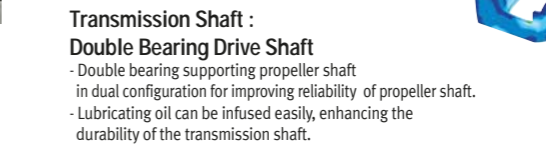
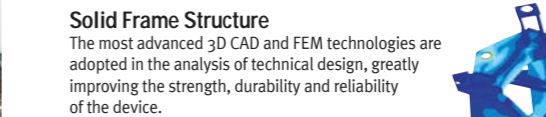
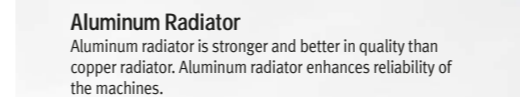
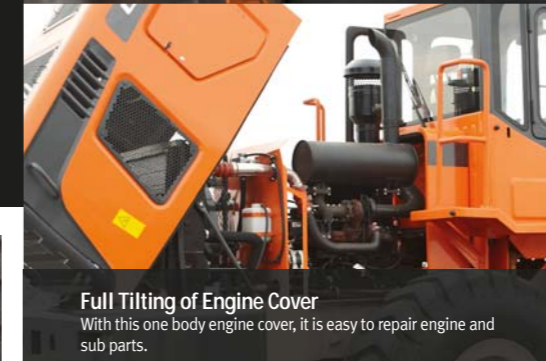
Excellent Performance for The Best Job

SD310 features powerful performance under poor working conditions with high efficiency and fuel saving operation. Well integrated high quality main components make it possible.

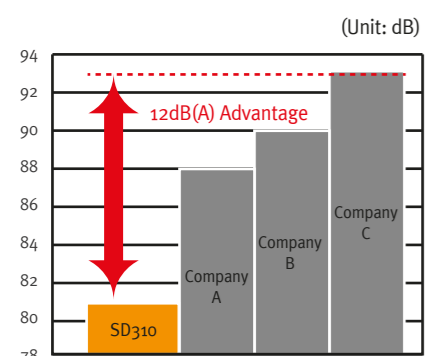


Fast Operating Speed

Significantly improved work progress, reduced work time, and reached excellent perfectly balanced for optimal work efficiency.



Air Flow Increased by 30%
Excellent air-conditioning system and air circulation function as well as perfect defrost system provide operator a more comfortable operating environment and more easy controlling methods to benefit from the above functions.



Lower Noise
Offering a quiet and comfortable working environment and improving efficiency. (SD310 - Indoor noise levels : 81dB, The noise level of the equipment outside : 112dB)



ZF transmission
Full automatic transmission for streamlined speed change with four forward gears and three backward gears.(SD310)

Features of DISD wheel loader

- Stronger breakout force and tractive force, reflecting excellent performance in a high-load working environment.
- Ideal operating speed and 40°steering angle, sharply improving work efficiency.
- Low-speed engine, saving more fuel for the device.
- Reasonable matched top-end technology, ensuring a more reliable, durable and efficient device.
- Noise reduction technology in line with international standards, providing operator with physical and mental protection, while bolstering work efficiency.
- Industry leading cooling system, offering a guarantee for continuous and uninterrupted work under high temperatures.
- Streamlined appearance and wide operating room, representing an international brand style.